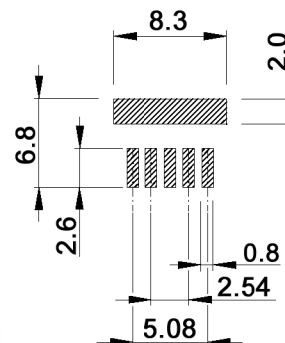


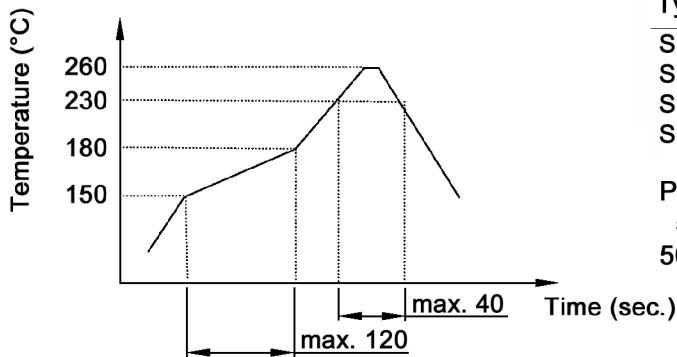
P.C.B. LAYOUT



Specifications:

- Contact rating: non-switching: 100mA, 50V DC  
switching: 30mA, 15V DC
- Contact resistance: 200mOhm max.
- Insulation resistance: 1 000MOhm min. at 250V DC
- Dielectric strength: 250V, 50Hz for the duration of 1 minute
- Operating temperature: -40°C to +85°C
- Mechanical life: min. 20 000 cycles
- Material: Contacts: gold plated  
Terminals: copper alloy, gold plated  
Case: LCP, UL94V-0, black  
Frame: stainless steel  
Rotor: LCP, UL94V-0, yellow for real code, red for complement code  
O-ring: silicone rubber UL94-HB

Recommended reflow soldering profile:



Type:	Code:
SMRR 7010-1	BCD real
SMRR 7110-1	BCD complement
SMRR 7016-1	Hexadecimal real
SMRR 7116-1	Hexadecimal complement

Packaging unit:  
50 pcs. per tube  
500 pcs. per reel (with suffix "T")

Compliance: RohS II (2011/65/EU)

Tolerances: ±0.3mm	Date	Name
	08/08	dr
Rename	08/17	dr
Operating temperature	12/16	dr
Packaging	09/14	dr
Modifications	Date	Name

# SMRR 7000-1 (T)

**knitter-switch**

## 30 15 64

Page

1/3

Codes:

BCD

		Real coded				
		C	1	2	4	8
10 Positions	0	●				
	1	●	●			
	2	●		●		
	3	●	●	●		
	4	●			●	
	5	●	●		●	
	6	●		●	●	
	7	●	●	●	●	
	8	●				●
	9	●	●			●

BCD inverse

		Complement coded				
		C	1	2	4	8
10 Positions	0	●	●	●	●	●
	1	●		●	●	●
	2	●	●		●	●
	3	●			●	●
	4	●	●	●		●
	5	●		●		●
	6	●	●			●
	7	●				●
	8	●	●	●	●	
	9	●		●	●	

Hexadecimal

		Real coded				
		C	1	2	4	8
16 Positions	0	●				
	1	●	●			
	2	●		●		
	3	●	●	●		
	4	●			●	
	5	●	●		●	
	6	●		●	●	
	7	●	●	●	●	
	8	●				●
	9	●	●			●
	A	●		●	●	●
	B	●	●	●		●
	C	●			●	●
	D	●	●		●	●
	E	●		●	●	●
	F	●	●	●	●	●

Hexadecimal inverse

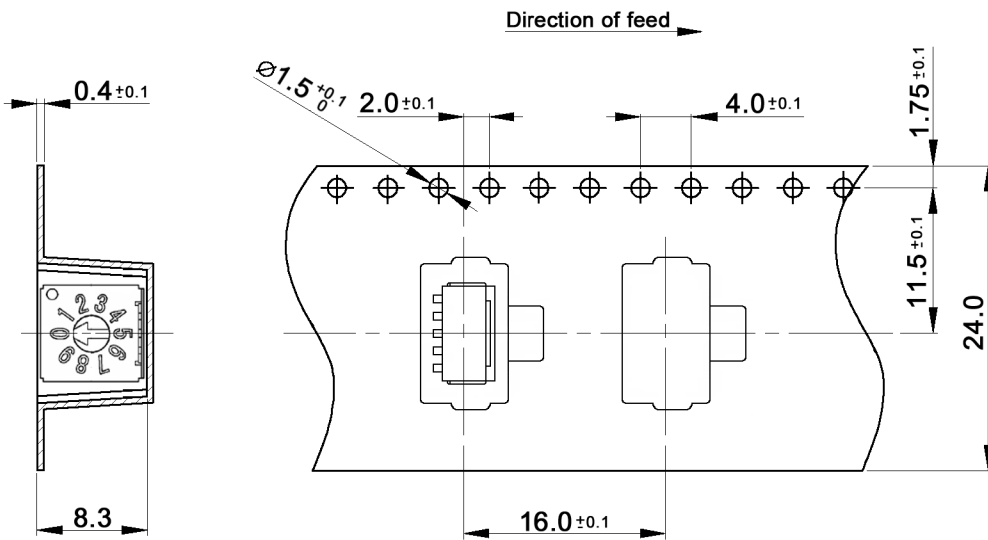
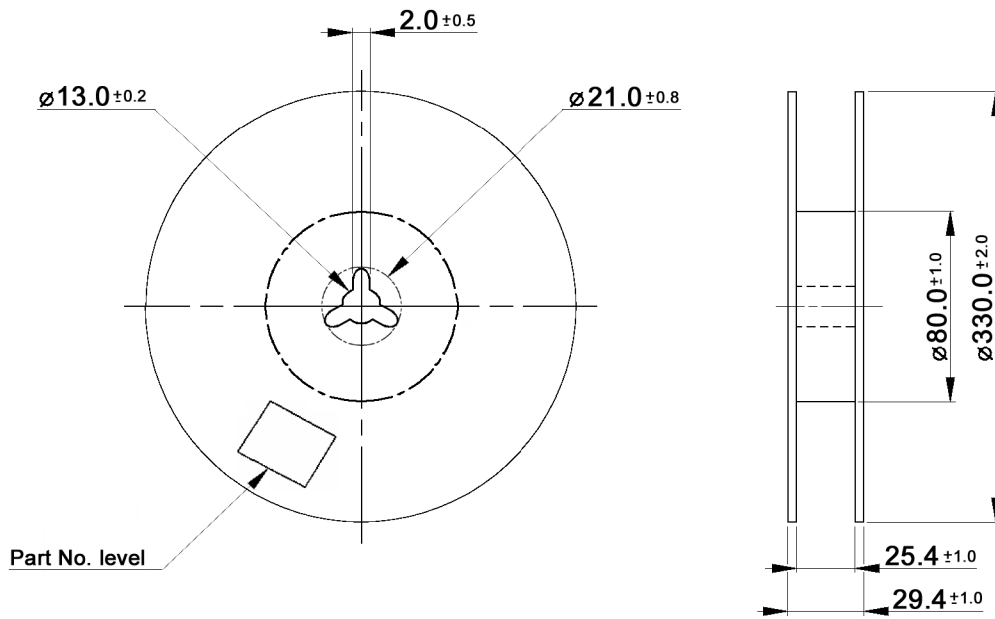
		Complement coded				
		C	1	2	4	8
16 Positions	0	●	●	●	●	●
	1	●		●	●	●
	2	●	●		●	●
	3	●			●	●
	4	●	●	●		●
	5	●		●		●
	6	●	●			●
	7	●				●
	8	●	●	●	●	
	9	●		●	●	
	A	●	●		●	
	B	●			●	
	C	●	●	●		
	D	●		●		
	E	●	●			
	F	●				

Compliance: RohS II (2011/65/EU)

Tolerances: ±0.3mm	Date	Name	<h1>SMRR 7000-1 (T)</h1>
	08/08	dr	
			<h2>30 15 64</h2>
			Page
			2/3
Modifications	Date	Name	

**knitter-switch**

Packaging:



Compliance: RohS II (2011/65/EU)

Tolerances: $\pm 0.3\text{mm}$	Date	Name	<b>SMRR 7000-1 (T)</b>
	08/08	dr	
			<b>30 15 64</b>
			Page
			3/3
Modifications	Date	Name	

**knitter-switch**